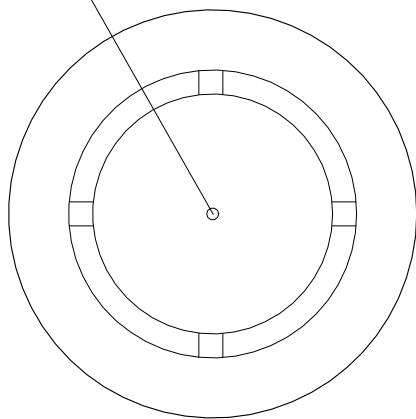
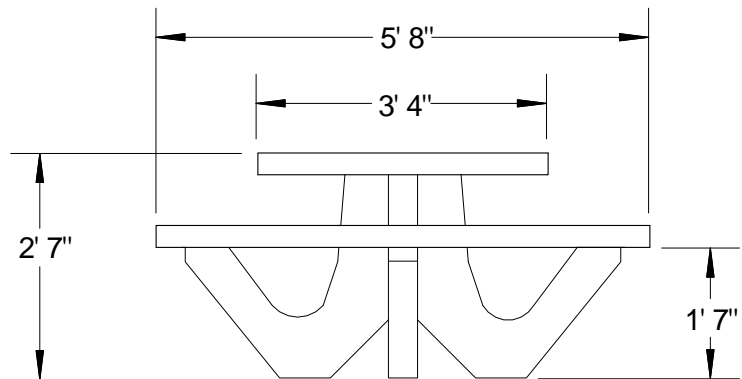


1-7/8" Dia. Hole Through Top & Base



Top View



Side View

SPECIFICATIONS	
<p>Concrete Min. Strength: 4,000 psi at 28 days Reinforcement: #3 Rebar, Fiber Air Entrainment: 5% Weight = 1,200 lbs total</p>	<p>PRECAST PICNIC TABLE MODEL SPT-R</p> <p>Woodard's Concrete Products, Inc. 629 Lybolt Road, Bullville, NY 10915 (845) 361-3471 / Fax 361-1050</p>
<p>Page 9F 9/13/02</p>	